

Eco-MR16 Series

6W LED MR16 Lamp



ER0621
GU5.3

ER0603
GU10

Modern design offering perfect illumination to showcase your precious possession and jewelry



ER0621 Front View

ER0603 Front View



12V AC/DC, 100VAC-240VAC, TUV 300, UL LISTED LED LAMP 43PV, FC, CE, RoHS, $\sqrt{\text{CO}_2}$, no UV, LONG LIFE, Energy Saver, 2 years Warranty, FAN INSIDE

Feature

- Brightness of a 50W halogen MR16 lamp
- Up to 88% energy saving over 50W halogen MR16 lamp
- Apply high efficiency LED
- Low temperature
- Lead-free, Mercury-free, No UV light
- ECO-Friendly. CO₂ reduction
- Equipped with flame-retardant plastics
- Long life span. Lifetime up to 30,000hrs, over 5 times longer than standard energy saver; 20 times longer than halogen lamp
- With TUV, RoHS, CE, UL certification
- 2 years warranty
- Made in Taiwan

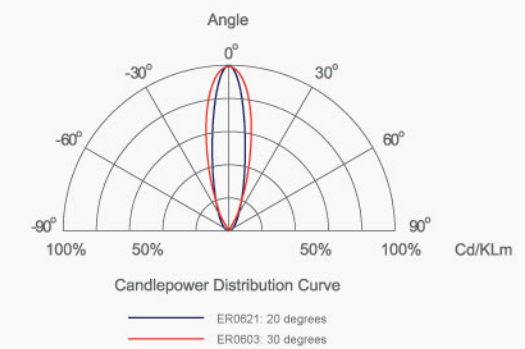
Specification

Model No.	ER0621			ER0603		
Color	<input checked="" type="radio"/> Warm White	<input type="radio"/> Cool White		<input checked="" type="radio"/> Warm White	<input type="radio"/> Cool White	
Input Voltage	12 V AC/DC			100-240VAC		
Consumption Power	6W			6W		
Luminous Flux	258 Lm	293 Lm	338 Lm	259 Lm	298 Lm	341 Lm
Luminance Efficiency	43 lm/W	48.8 lm/W	56.3 lm/W	43.2 lm/W	49.7 lm/W	56.8 lm/W
Correlated Color Temperature	2,800K	3,500K	5,500K	2,800K	3,500K	5,500K
Illuminance(@1M)	1,016 Lux	1,056 Lux	1,084 Lux	841 Lux	928 Lux	963 Lux
Operation Temperature	-20 °C ~ 40 °C					
Base	GU5.3			GU10		
Dimension	Height : 57mm Diameter : 50mm			Height : 75mm Diameter : 50mm		
Beam Angle	20 degrees			30 degrees		
Weight	50g			60g		

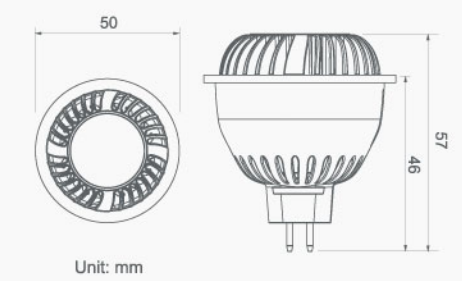
* GU5.3 Series : 20/30/60 degrees/U shape available
GU10 Series : 20/30/60 degrees/U shape available

Caution

- Not suitable for high temperature and moisture area.
- Not suitable for heavy air-polluted area.
- Not suitable for close system fixture.



ER0621



ER0603

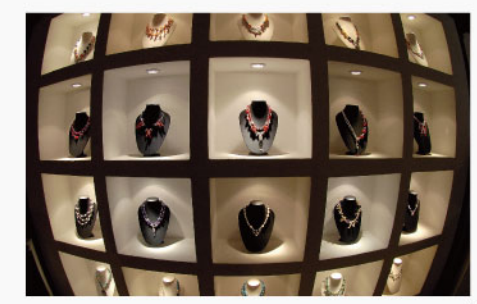
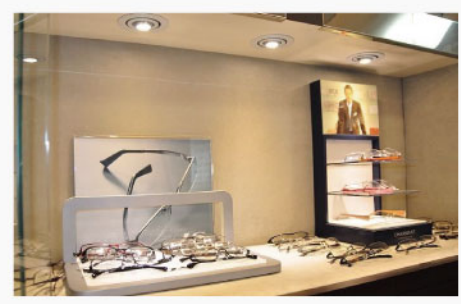
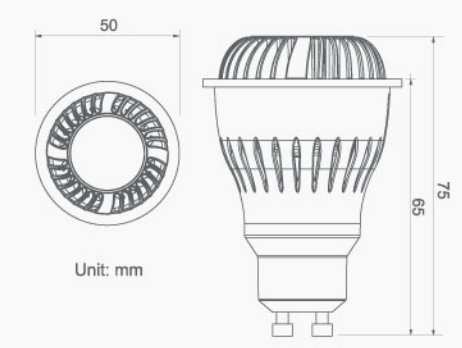


Image and specification shown may vary from actual product